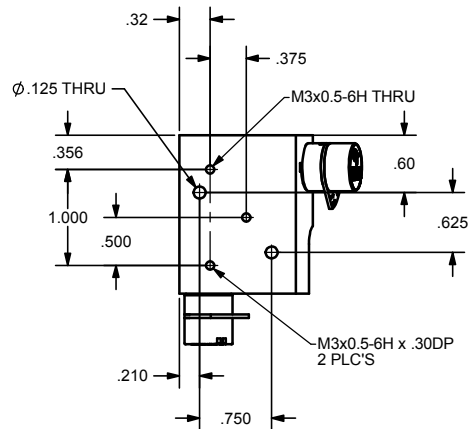


AUXILIARY VIEW  
 SCALE 2:1  
 DIMENSIONS ON THIS VIEW REPRESENT SMALLEST DISTANCES DURING MIRRORS' FULL ANGULAR RANGE



- NOTES:  
 1. ALL DIMENSIONS ARE FOR REFERENCE ONLY.  
 2. RECOMMENDED X-Y MOUNT CLAMP SCREW TORQUE= 11.5 in\*lb (1.30 N\*m).  
 3. CLAMP SCREW TORQUE TOLERANCE =  $\pm 10\%$ .

For Reference Only  
 Do NOT use for your design!

Contact CTI for the latest information on the product of your interest.