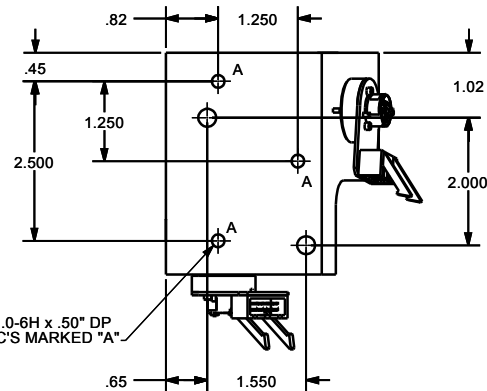


AUXILIARY VIEW  
 SCALE 3:2  
 DIMENSIONS ON THIS VIEW REPRESENT SMALLEST DISTANCES DURING MIRRORS' FULL ANGULAR RANGE.

NOTES:

1. ALL DIMENSIONS ARE FOR REFERENCE ONLY.
2. SCREW SIZE = #1/4-20 x 1.25" LONG.
3. HEX KEY SIZE = 3/16"
4. RECOMMENDED SCREW TORQUE = 110 in\*lb (12.43 N\*m)
5. CLAMP SCREW TORQUE TOLERANCE =  $\pm 5\%$ .



For Reference Only  
 Do NOT use for your design!

Contact CTI for the latest information on the product of your interest.