

Ø.281 THRU
C'BORE Ø.75 \pm .31
2X

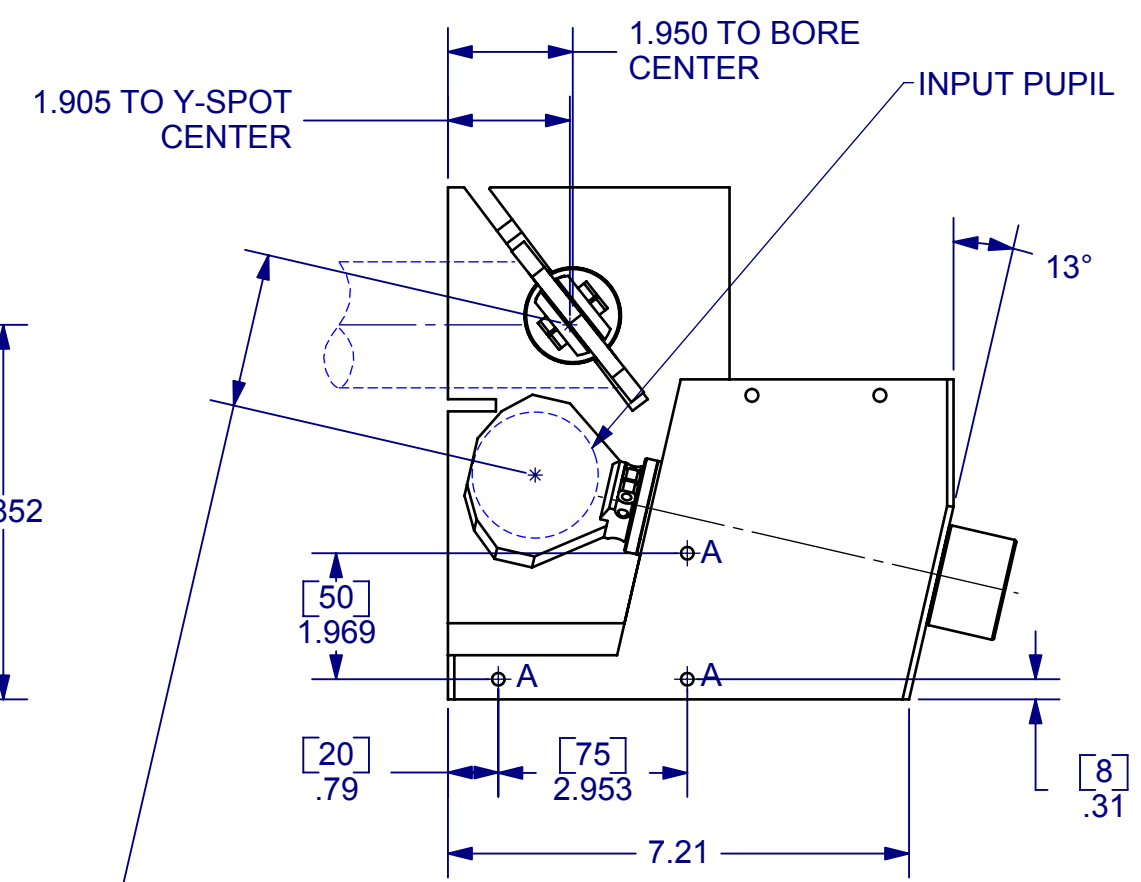
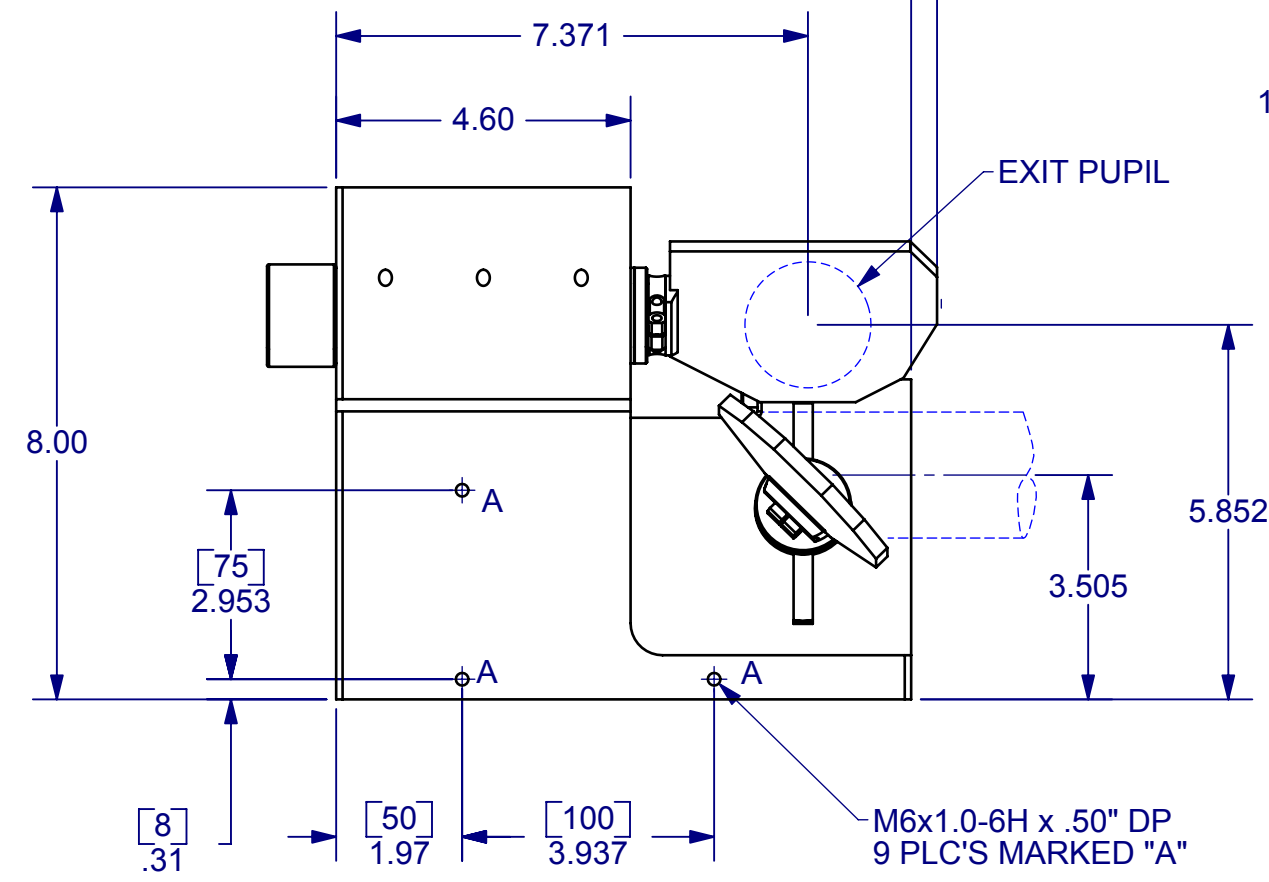
OUTPUT BEAM

INPUT BEAM

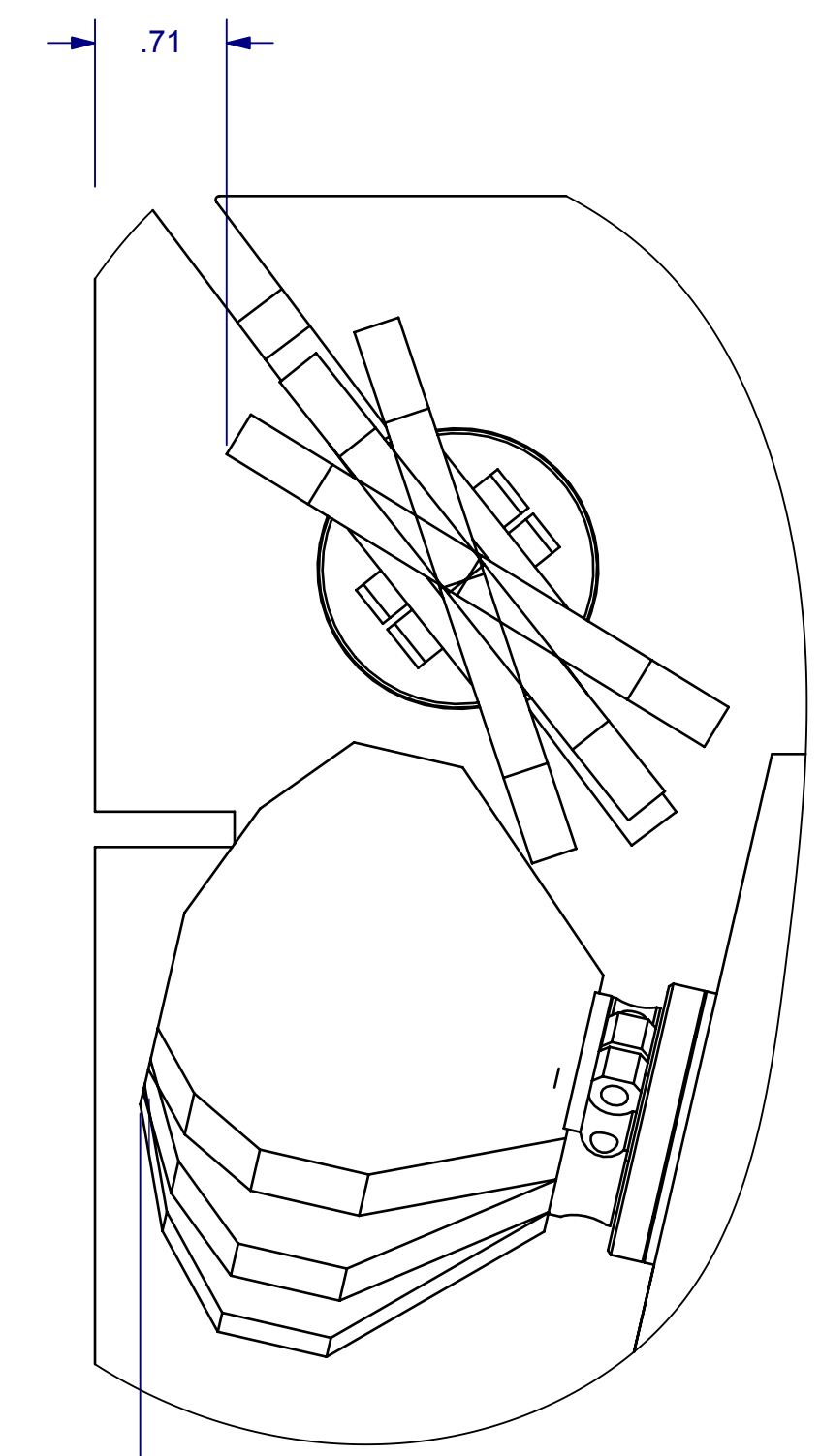
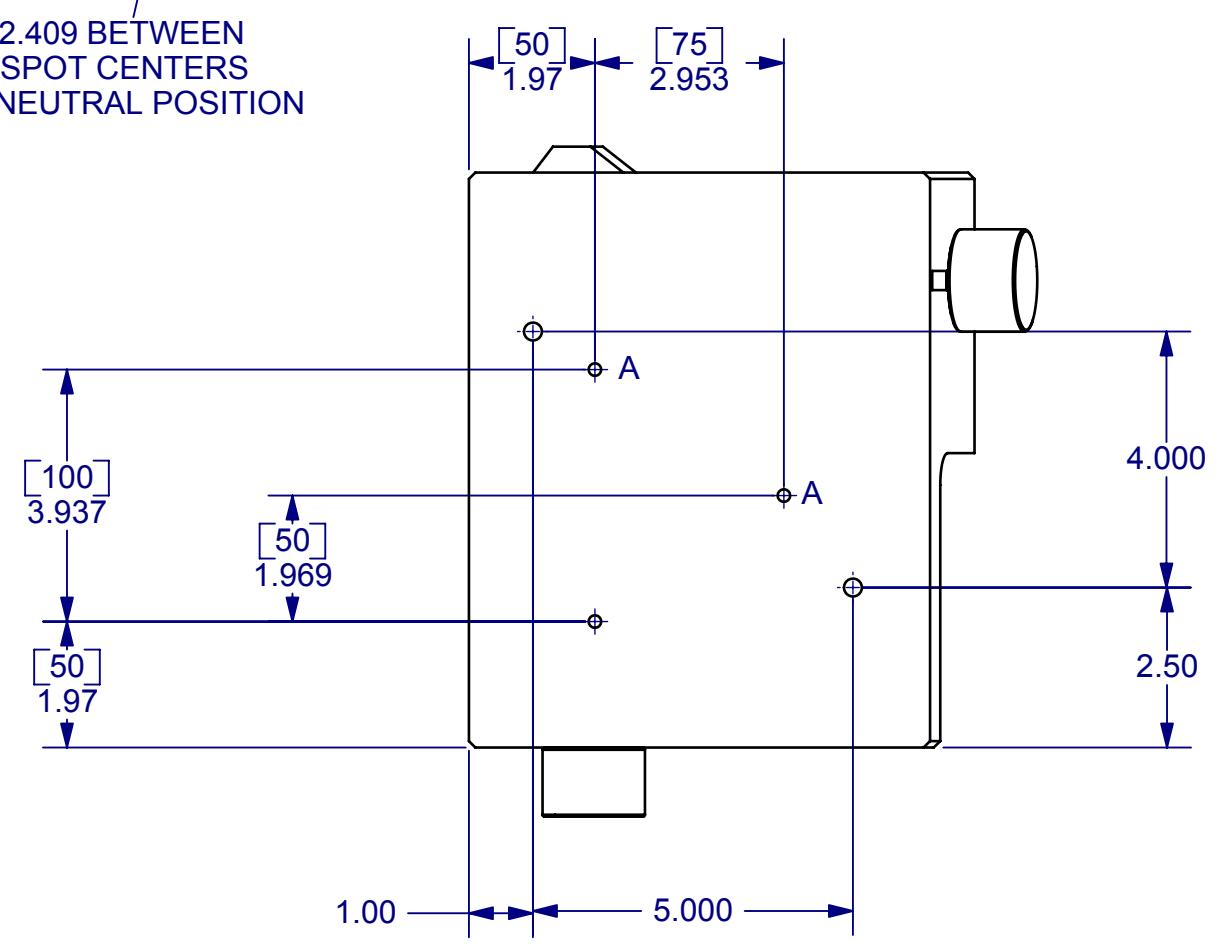
EXIT PUPIL

INPUT PUPIL

CAUTION!
MIRROR PROTRUDES .40
BEYOND MOUNT



2.409 BETWEEN
SPOT CENTERS
AT NEUTRAL POSITION



AUXILIARY VIEW
SCALE 1:1
DIMENSIONS ON THIS VIEW REPRESENT SMALLEST
DISTANCES DURING MIRRORS' FULL ANGULAR RANGE

NOTES:

1. TIGHTEN CLAMPING SCREWS WITH 90 TO 100 IN*LB TORQUE (10.2 TO 11.3 N*m).
2. USE 3/16" FLAT HEX HEAD BIT OR ALLEN WRENCH.
3. TIGHTEN EACH SCREW SLIGHTLY THEN MOVE TO NEXT. REPEAT UNTIL ALL SCREWS REACH FULL TORQUE

For Reference Only
Do NOT use for your design!

Contact CTI for the latest information on
the product of your interest.