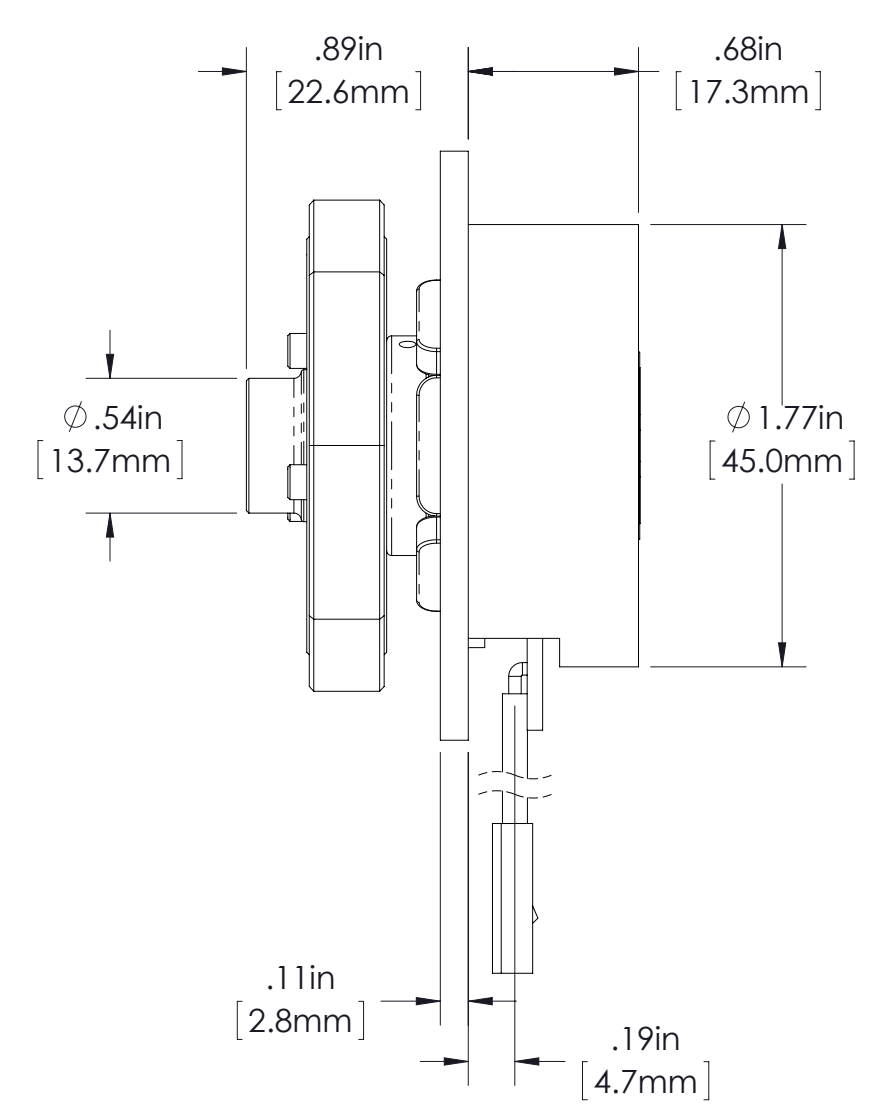
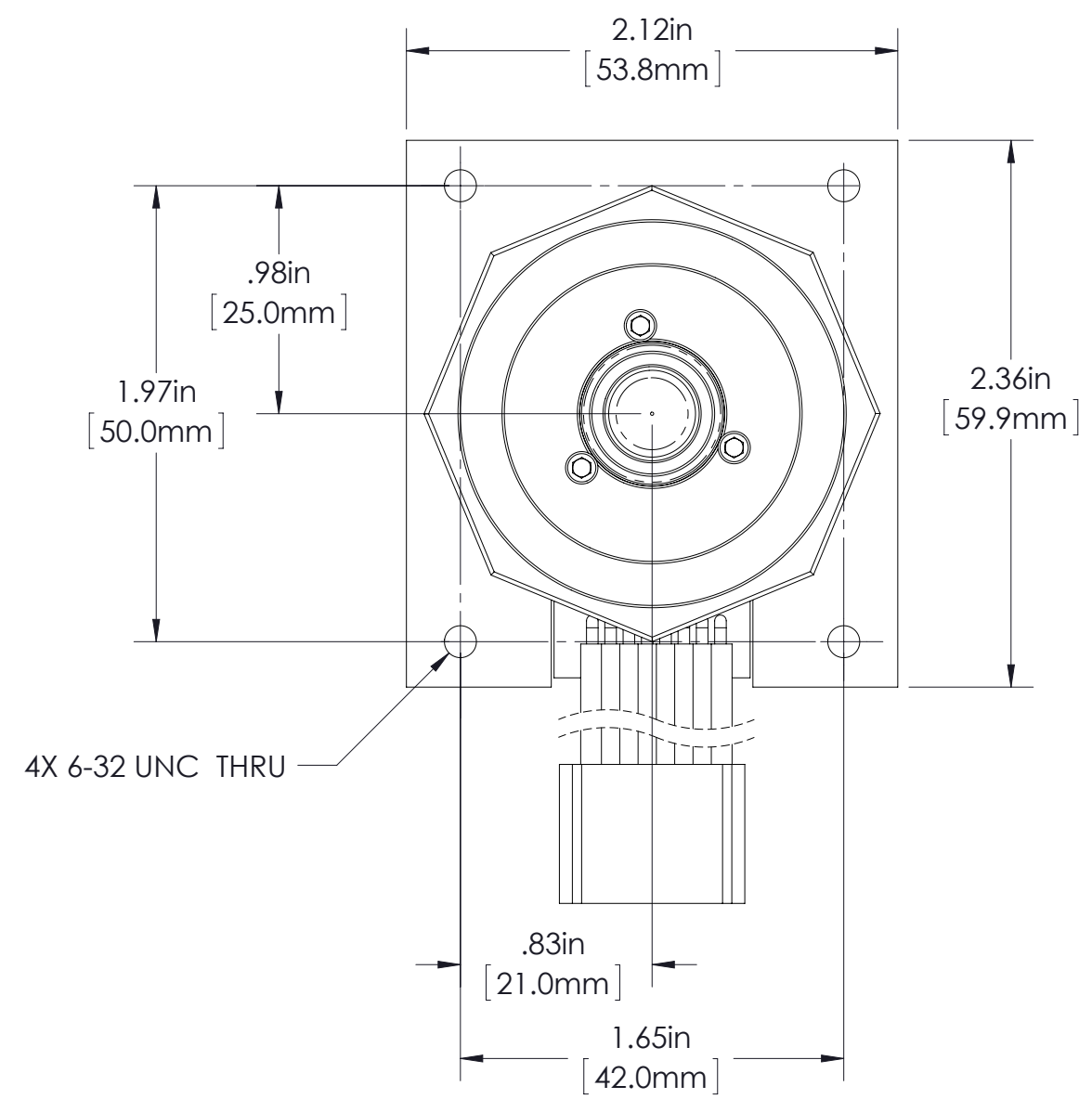


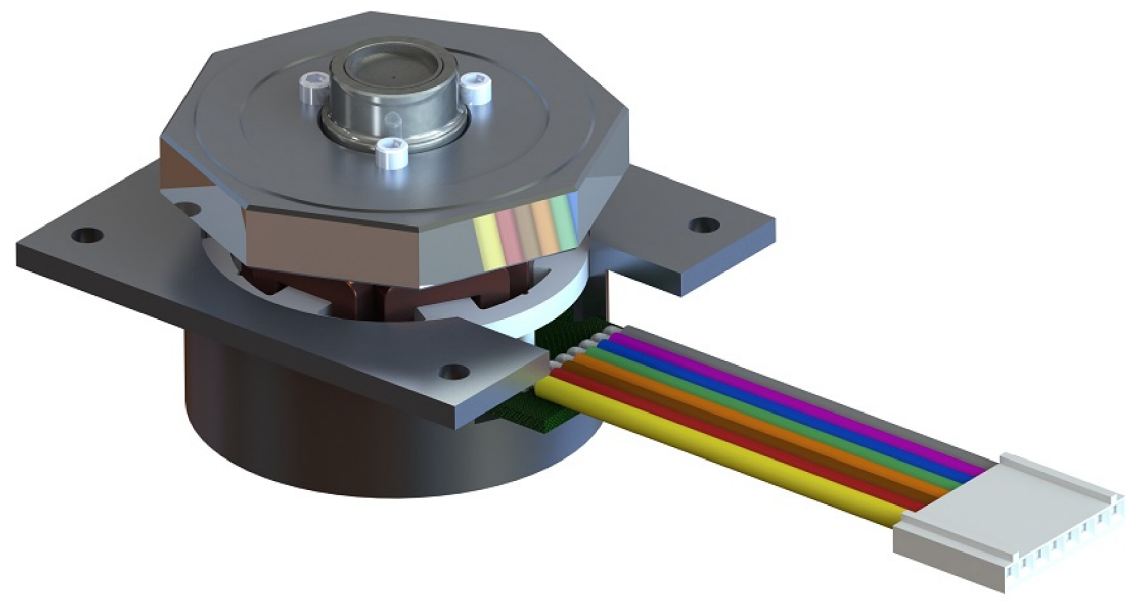
8 7 6 5 4 3 2 1

D
C
B
A

D
C
B
A



Model	P1AB
Min Speed (RPM)	10,000
Max Speed (RPM)	28,000
Mirror Size Thick x Dia. (Max Inches)	0.30 X 1.80
Bearing Type	Aerodynamic
Housing Type	Cantilevered
Dynamic Track (Arc Sec)	≤40
Speed Stability (dep. on speed)	< 0.05%
Encoder Available	No



"ALL SPECIFICATIONS SUBJECT TO CHANGE WITHOUT NOTICE"



P1AB

8 7 6 5 4 3 2 1