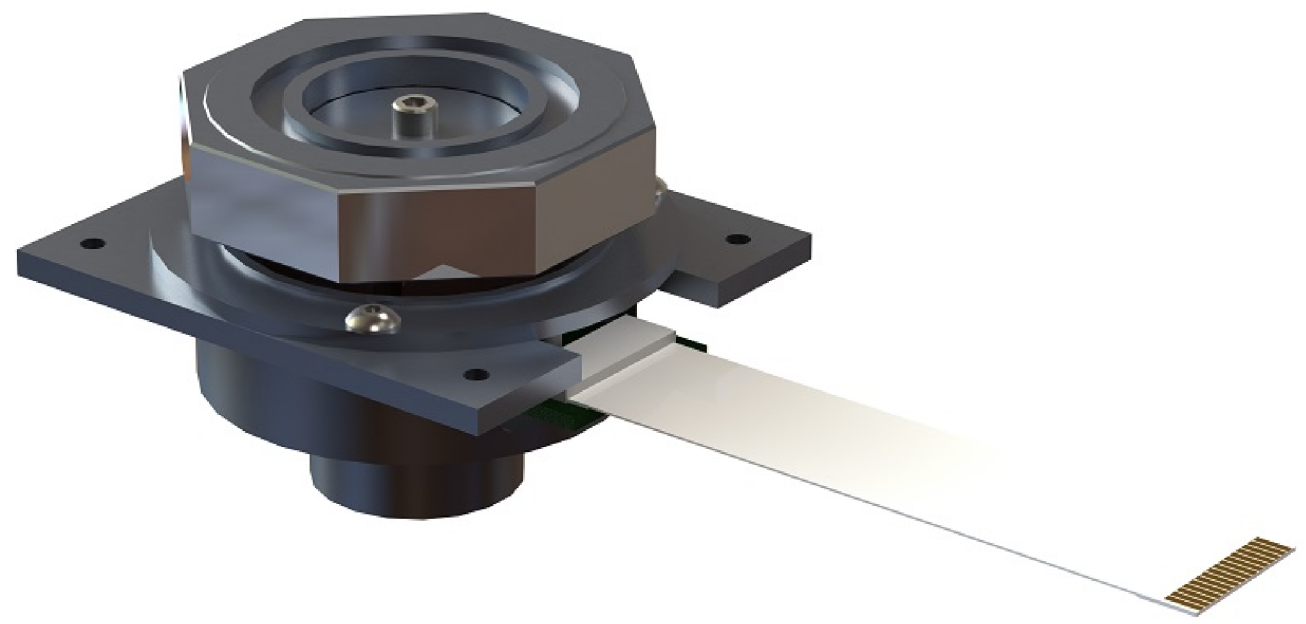


Model	P1BB
Min Speed (RPM)	300
Max Speed (RPM)	10,000
Mirror Size Thick x Dia. (Max Inches)	1.00 X 3.00
Bearing Type	Ball Bearing
Housing Type	Cantilevered
Dynamic Track (Arc Sec)	≤40
Speed Stability (dep. on speed)	< 0.05%
Encoder Available	Yes



"ALL SPECIFICATIONS SUBJECT TO CHANGE WITHOUT NOTICE"



P1BB